

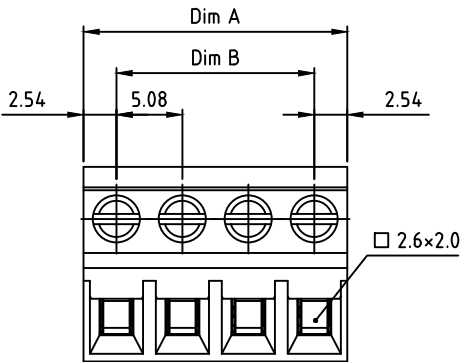
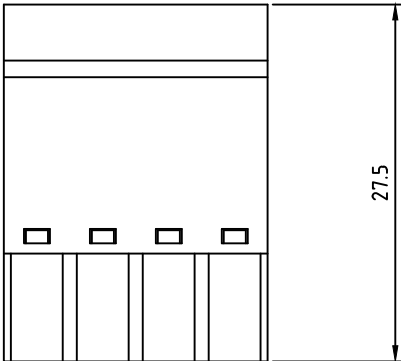
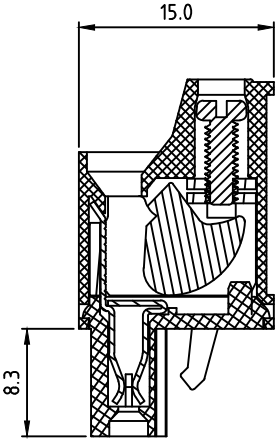


# SPECIFICATIONS

- Voltage Rating: 300VAC/300VAC
- Current Rating: 20 Amps/20 Amps
- Dielectric withstanding: 1.6KV/2.5KV
- Operating Temperature: -40°C to +115°C
- Contact Material: PhBz, Tin Plated
- Terminal Screw: Steel Zinc plating "-" slot type
- Insulator Material: Thermoplastic, UL 94V-0
- Wire Range: 0.34-2.5mm<sup>2</sup>
- Wire Strip Length: 6-7mm
- Solid/Stranded Wire: 12-22 AWG
- Torque: 3.5Lb-In/0.4Nm
- Clamp: Steel Zinc plated
- Screw: M2.5
- Safety Approval:  



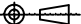
N=Number of contacts



## RPEN-XXEEXJ-FG

- NO. OF POLES: 2 POLES, 3 POLES, ..., 24 POLES
- Color: J: Black(RAL9005), B: Red(RAL3001/D), C: Orange(RAL2011/P), D: Yellow(RAL1018/A), E: Green(RAL6018/T), F: Blue(RAL5015/A), H: Grey(RAL7035/D), 3: Green(RAL6018/U)
- FG: RoHS Compliant (Lead <4% in Copper Alloy)

Dimensions	
A	Nx5.08
B	(N-1)x5.08
Poles	Tolerance
2P-6P	±0.20
7P-12P	±0.25
13P-18P	±0.30
19P-24P	±0.40

GENERAL TOLERANCE UNLESS OTHERWISE SPECIFIED	
XXX. ± X	.XX ± 0.10
XX. ± X	.XXX ± X
X. ± 0.50	X.' ± 1'
.X ± 0.30	.X' ± 1'
REV. A	DRAWN
DATE 09/02/09	CHECKED
SCALE As shown	APPROVED
UNIT mm	



09/02/09	RPEN Series 5.08 mm Plug
PRODUCT NO. RPEN-XXEEXJ-FG	FILE NAME: RPEN-XXEEXJ-FG LF APD.DWG
SIZE A4	

APTOS Technology CONFIDENTIAL  
This document, and all information it contains, are the confidential, proprietary property of APTOS Technology. Disclosure, duplication or distribution of this document, or any information it contains, in whole or part, without prior written permission from APTOS Technology is strictly prohibited